



BT LIFTER UNIVERSAL HAND PALLET TRUCK LHM230U



The BT Lifter is the universal Hand Pallet truck, suitable for moving loads in all types of applications. The BT Lifter is available in different versions and with many options.

Strong and powerful pressure bearing as standard, for low steering force and long durability.



BT lowering control (BLC-valve) enables a controlled and smooth lowering.



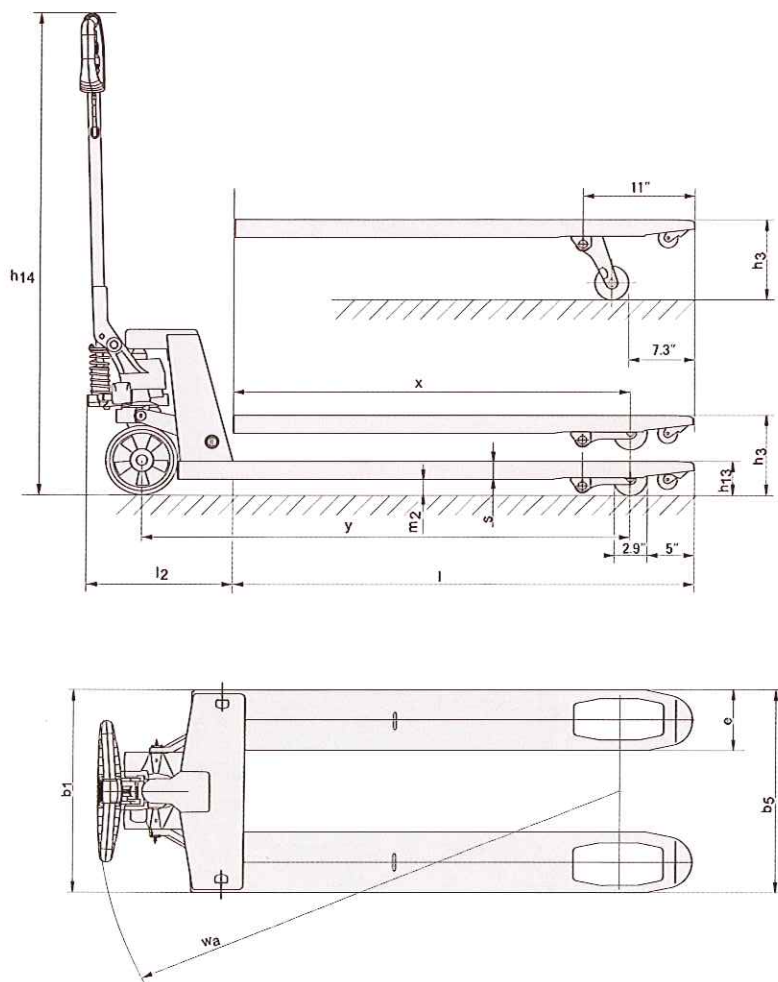
Angled high strength polymer handle for best ergonomic grip.





Features and Benefits

- Strong and powerful pressure bearing as standard, for low steering force and long durability.
- BT lowering control (BLC-valve) enables a controlled and smooth lowering.
- Strong and robust connection between tow bar and pump.
- Customized configurations and designs are available on request.
- A large variety of wheel types: nylon, polyurethane and steel.
- Greasable bushings ensure a long service life.
- Powder coating and robot welding give a precise and high quality finish.
- Angled high strength polymer handle for best ergonomic grip.
- Quick lift and overload can be combined.



| Truck features | LHM230U |
|--------------------------|---------|
| Choice of fork lengths | S |
| Choice of wheel types | S |
| Climber wheels | S |
| Solid push bars | S |
| Controls and instruments | |
| Tiller arm steering | S |
| Driving features | |
| 180° steering | S |
| Safety features | |
| BLC valve | S |
| Parking brake | O |
| 48" Back Rest | O |
| Maintenance features | |
| Lubrication points | S |

S = Standard feature O = Optional feature — = Not available

| Technical Details | | LHM230U |
|----------------------------|----------------------------------|-------------|
| Rated capacity | lbs | 5000 |
| Weight | lbs | 150 |
| Steer wheels | inches | Ø 6.9 x 2.4 |
| Fork wheels, single | inches | Ø 2.9 x 3.9 |
| Pump force, rated capacity | lbs | 75 |
| Dimensions, | inches | LHM230U |
| x | Front axle to fork face | 41.5 |
| y | Wheel base | 50.4 |
| h ₁₃ | Height of lowered fork | 2.9 |
| h ₃ | Lift height | 7.5 |
| h ₁₄ | Height of handle in neutral pos. | 48 |
| l ₂ | Truck length incl. back of fork | 14.4 |
| b ₁ | Chassis, width | 20.5/27 |
| s | Fork thickness | 1.8 |
| e | Fork width | 6.1 |
| l | Fork length | 36 |
| | | 42 |
| | | 48 |
| b ₅ | Width across fork | 20.5/27 |
| m ₂ | Floor clearance mid wheelbase | 1.1 |
| W _a | Turning radius | 57.6 |

Datas are based on l = 48 inches.
 U.S. dimensions are obtained by using conversion from Metric units and rounding for convenience.
 Other fork lengths and widths are available upon request.



- TOLL FREE: 1.800.558.6012
- FAX: 1.905.456.1383
- WEB: www.lifrite.com